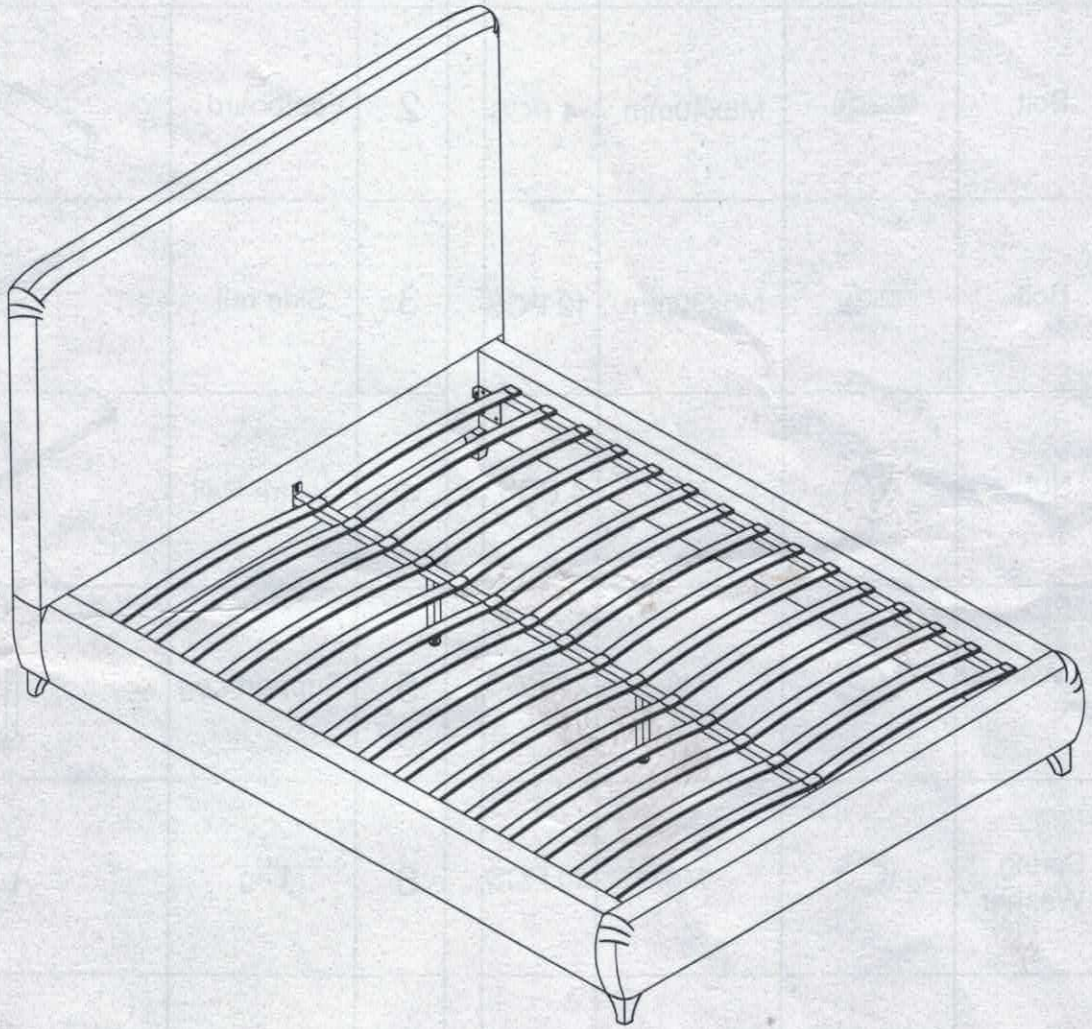


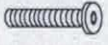
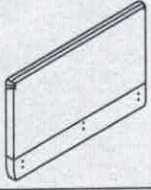

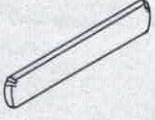
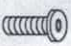


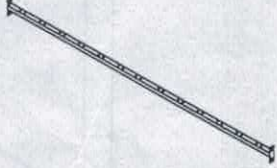









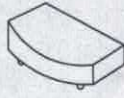
ASSEMBLY INSTRUCTIONS

MADRID KING BED

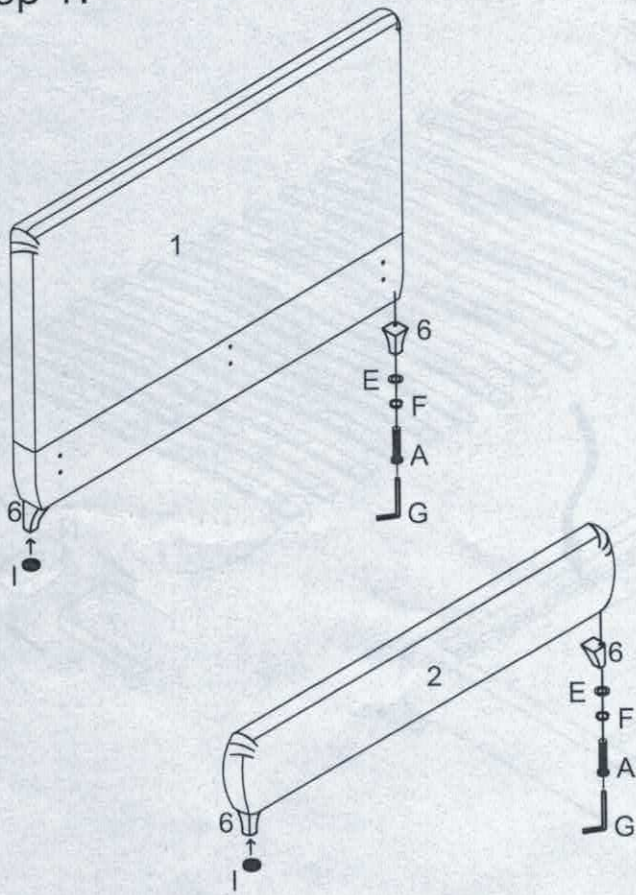


ASSEMBLY INSTRUCTIONS

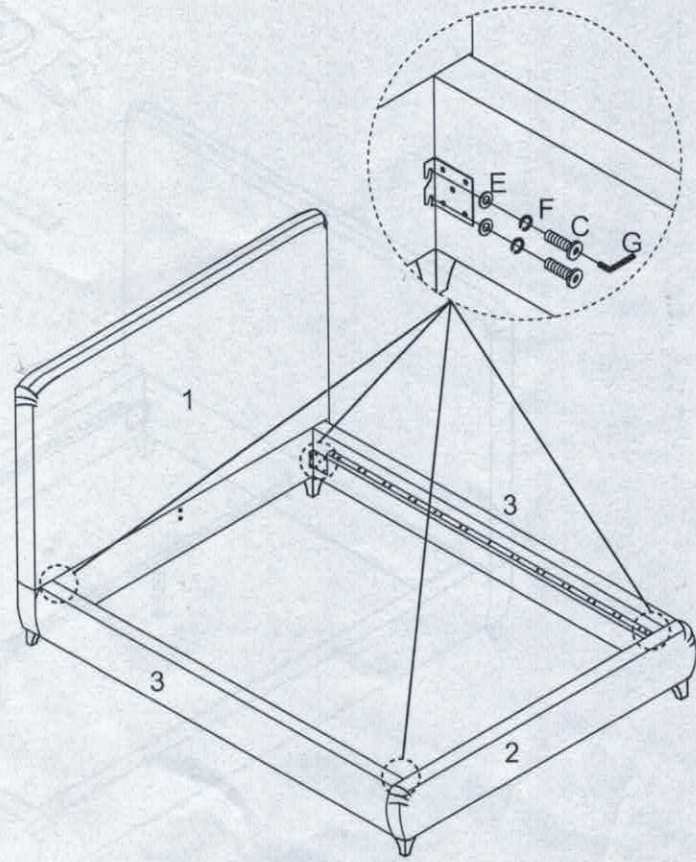
KING BED

HARDWARE LIST					PARTS LIST			
A	Bolt		M8x75mm	4 PCS	1	Headboard		1 PC
B	Bolt		M8x40mm	4 PCS	2	Footboard		1 PC
C	Bolt		M8x30mm	12 PCS	3	Side rail		2 PCS
D	Nut		M8	4 PCS	4	Centre Rail		1 PC
E	Flat Washer		M8	20 PCS	5	Support Leg		2 PCS
F	Spring Washer		M8	20 PCS	6	Leg		4 PCS
G	Allen Key			1 PC	7	Slats		30 PCS
H	Spanner			1 PC	8	Middle Cap		15PCS
I	Mat			4 PCS	9	End Cap		30PCS

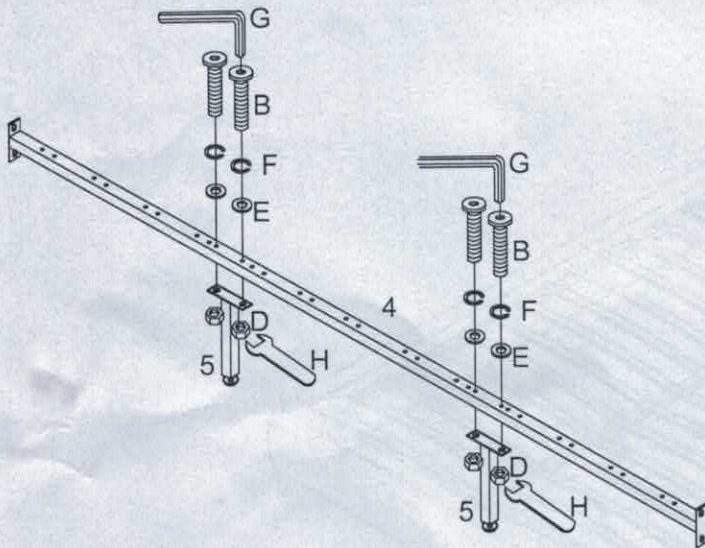
Step 1:



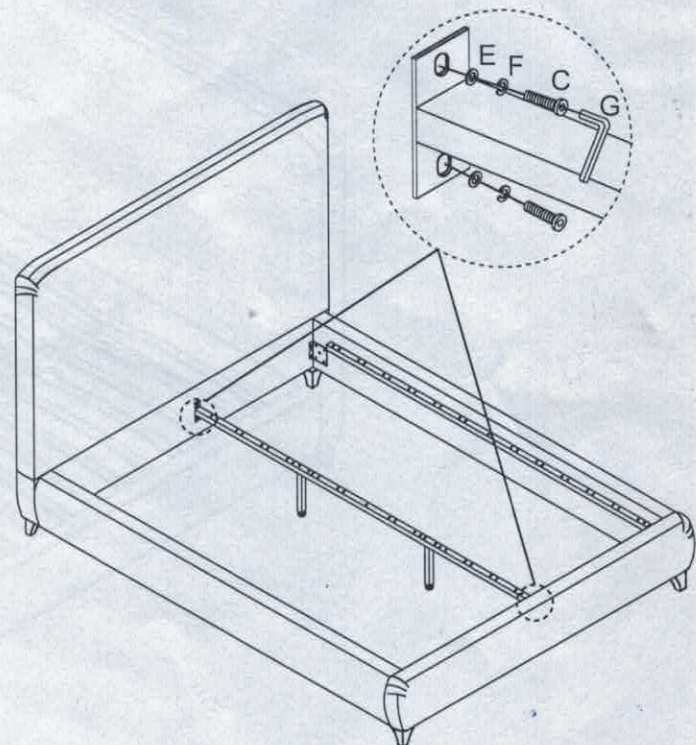
Step 2:



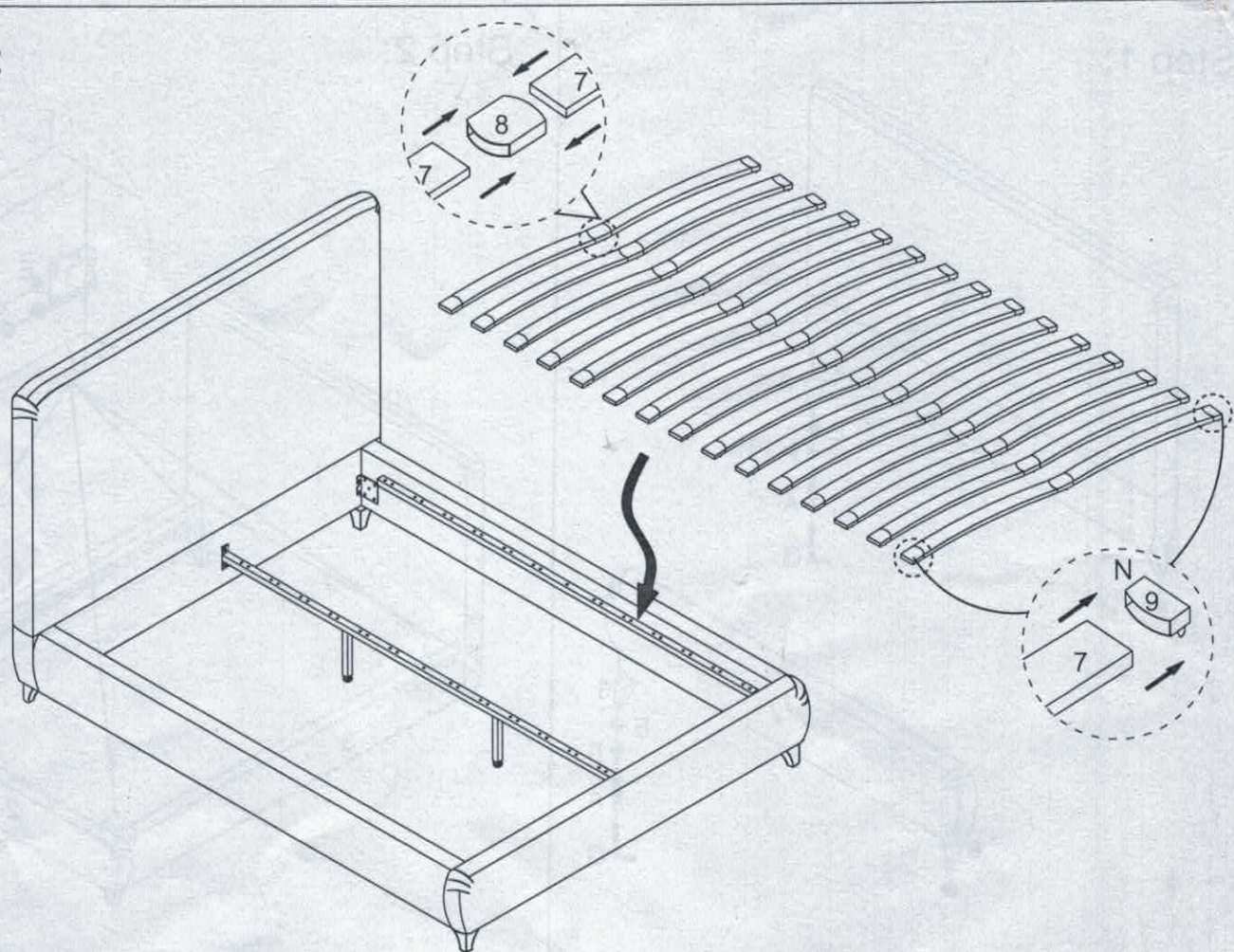
Step 3:



Step 4:



Step 5:



Step 6:

